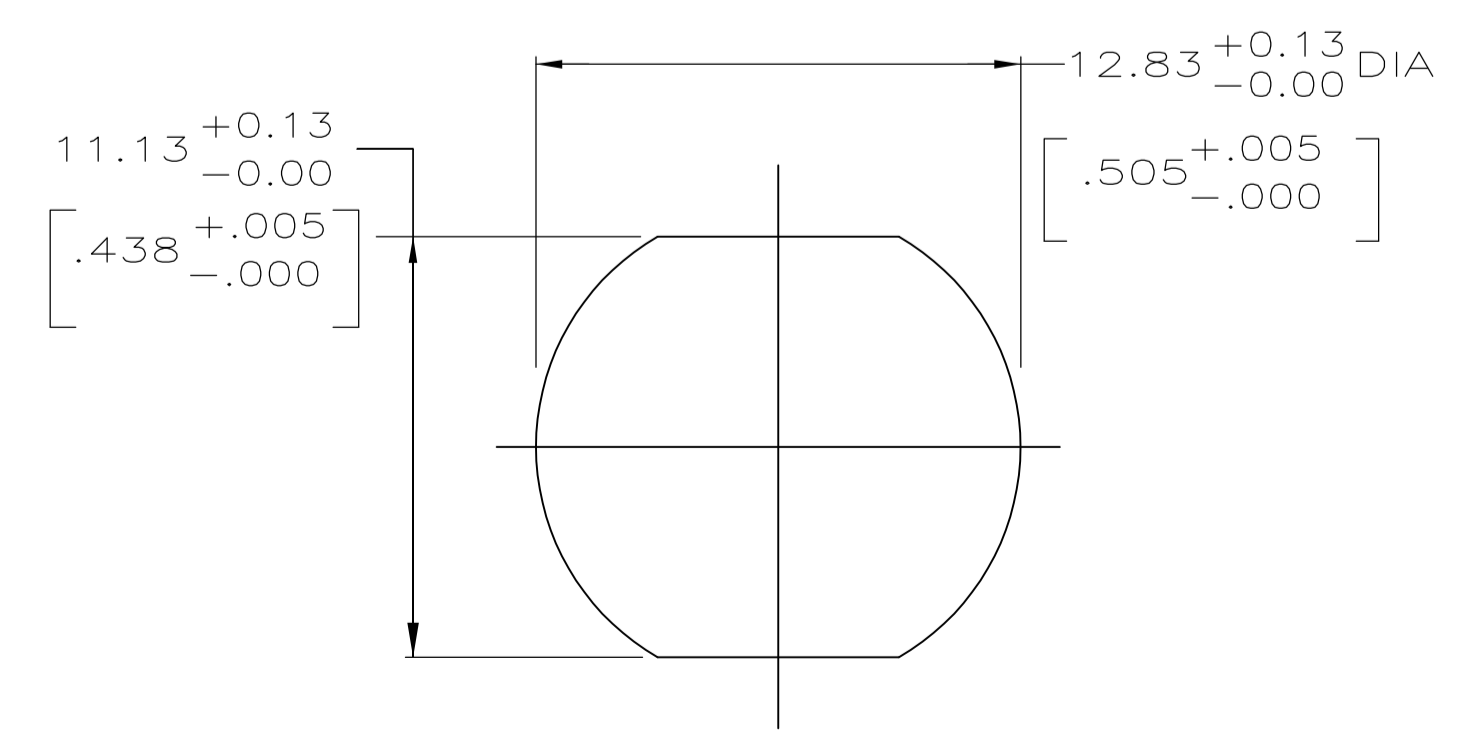
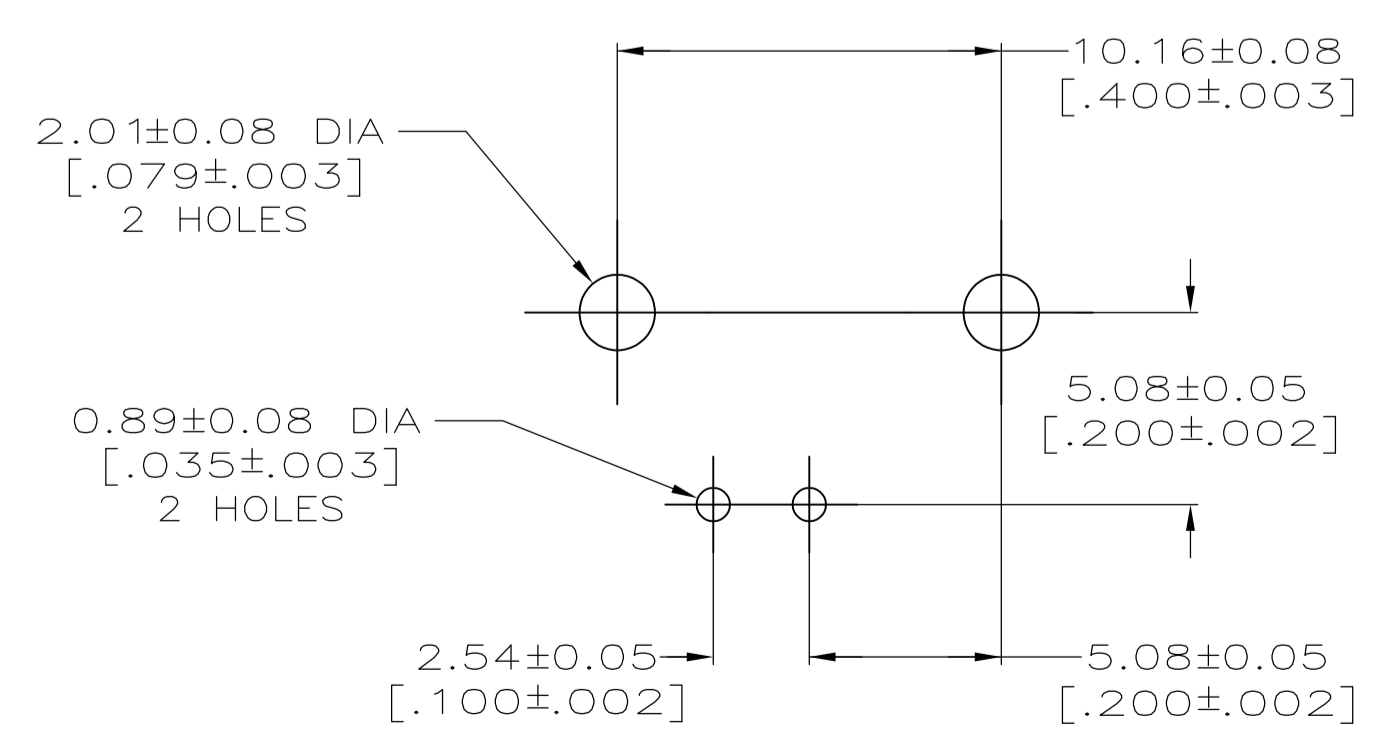
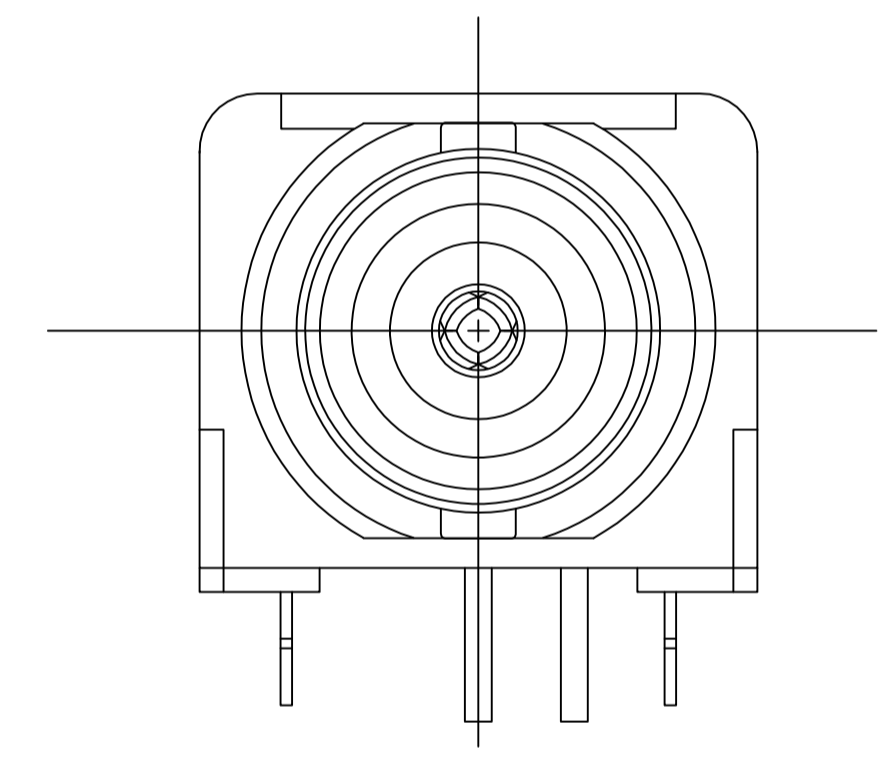
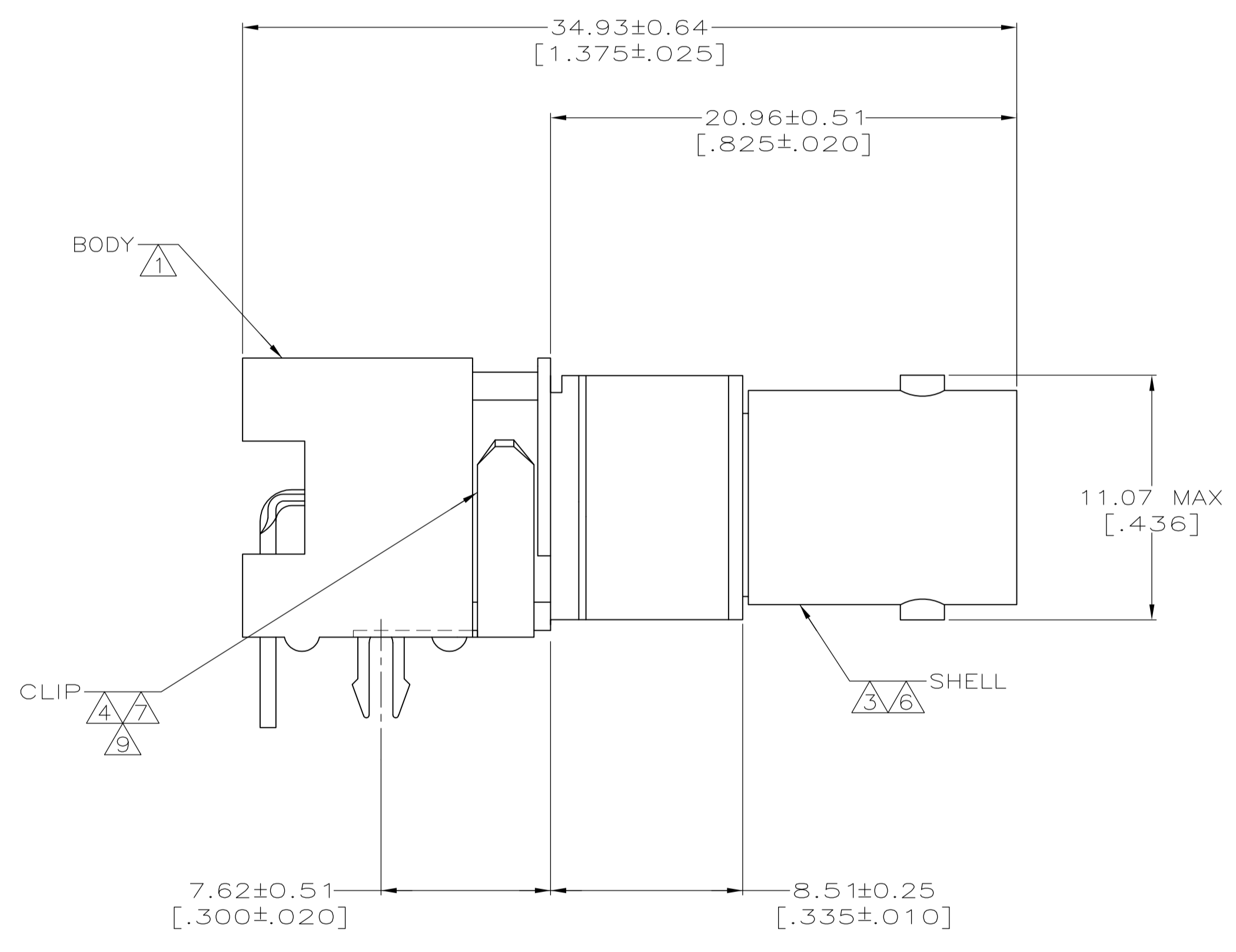
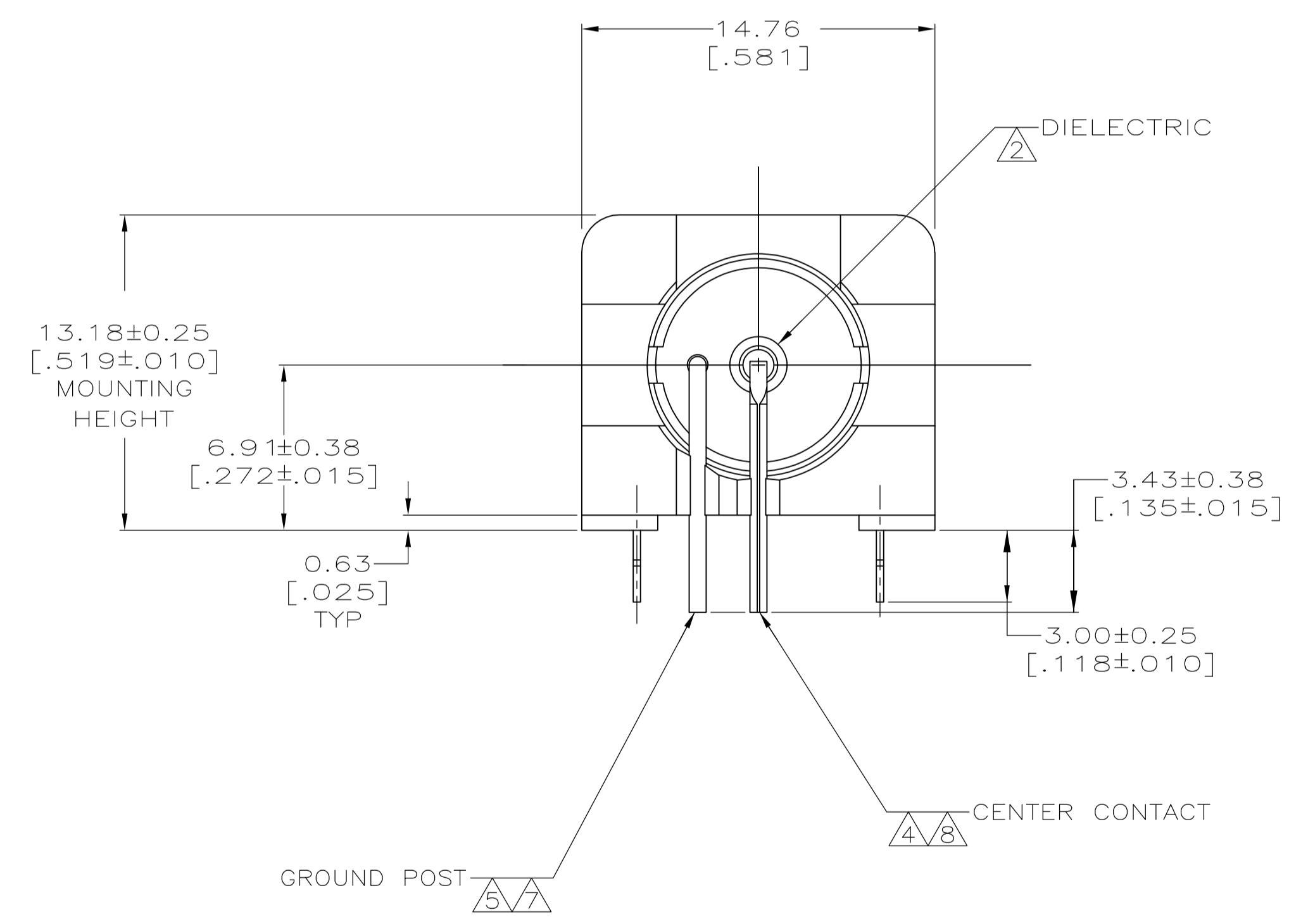
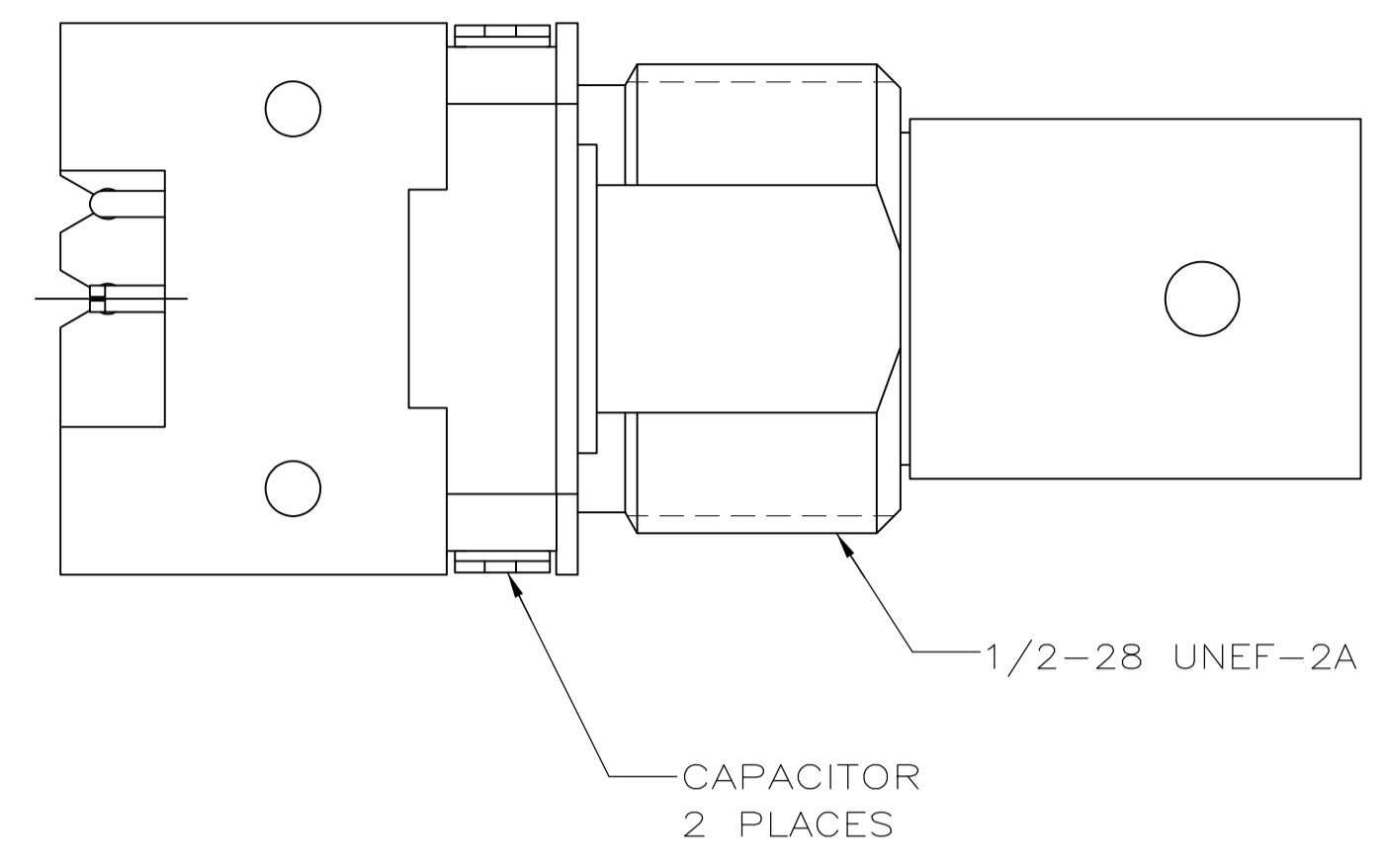


- ① POLYESTER, PBT, BLACK, PER MIL-M-24519.
- ② POLYMETHYLPENTENE GENERAL PURPOSE.
- ③ ZINC PER QQ-Z-363.
- ④ PHOSPHOR BRONZE PER QQ-B-750.
- ⑤ BRASS PER QQ-B-626.
- ⑥ NICKEL PL PER QQ-N-290.
- ⑦ TIN PLATE PER ASTM-B-545.
- ⑧ SELECTIVELY GOLD PLATED ON INTERFACE AREA PER MIL-G-45204, 0.76 [.000030] THK, TIN PLATED ON SOLDER TAIL PER ASTM-B-545, ALL OVER NICKEL PL PER QQ-N-290.
- ⑨ ESD DEVICE, VOLTAGE BREAKDOWN <4KVDC.



THIS DRAWING IS A CONTROLLED DOCUMENT.		DIN 7-20-95		Tyco Electronics Corporation	
DIMENSIONS: INCHES		TOLERANCES UNLESS OTHERWISE SPECIFIED:		Tyco Electronics Corporation Harrisburg, PA 17105-3608	
0 PLC ± -		1 PLC ± -		NAME: JACK, DECOUPLER, PCB RIGHT ANGLE, LOW PROFILE, ESD PROTECTED, BNC	
1 PLC ± -		2 PLC ± 0.20 [.008]		SIZE: A1	
2 PLC ± -		3 PLC ± -		CAGE CODE: 00779	
3 PLC ± -		4 PLC ± -		DRAWING NO: 415205	
4 PLC ± -		ANGLES ± -		SHEET 1 OF 1	
MATERIAL: SEE NOTES 1 - 5		FINISH: SEE NOTES 6, 7, 8		REV C	
CUSTOMER DRAWING		SCALE: 5:1		SHEET 1 OF 1	